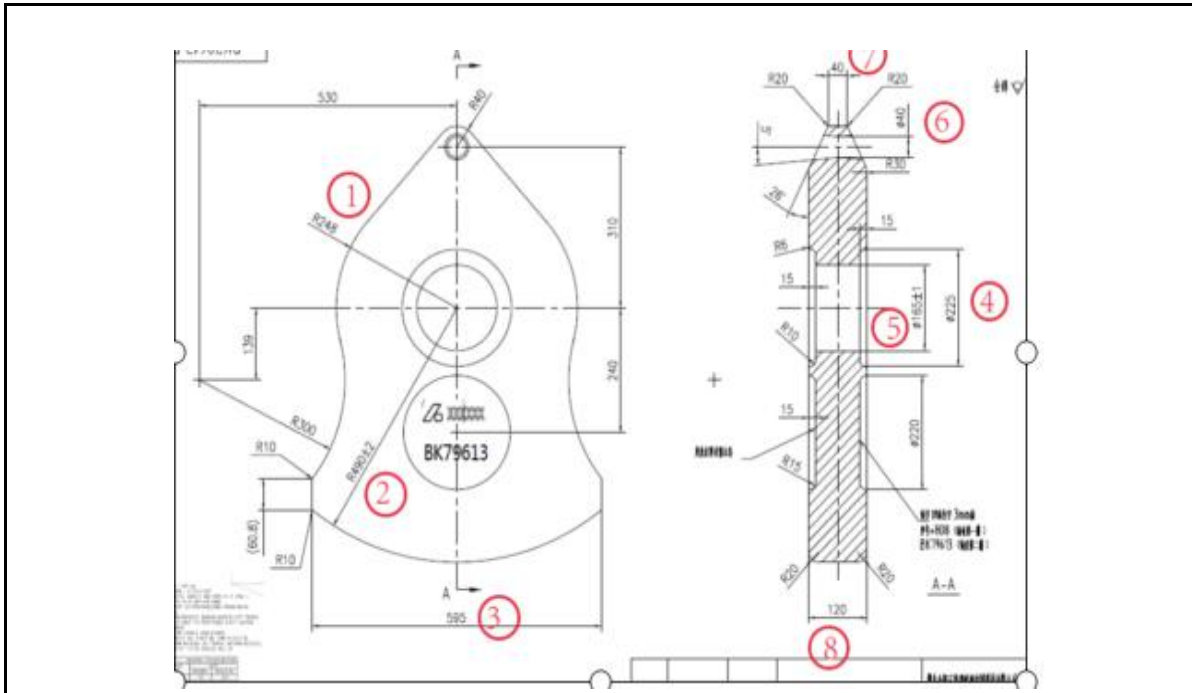


Shredder Hammer Sizes Report

Nanjing Qiming Machinery Co.,Ltd

Item: JYS-JZB-J015A



Part name	Shredder Hammer	Part No		WT	291Kg	Check Date	3.22	QA
Location	Drawing	Tolerance	H08-136	H08-151	H08-156	H08-166	H08-173	H08-188
1	R248		R248	R247	R248	R247	R247.5	R248
2	R490	±2	R490	R490	R490	R490	R490	R490
3	595		593	595	594	593	593	593.5
4	225		228	227	227	228	228	228
5	165	±1	166	165	166	165	166	166
6	40		42	42	41	42	42	41
7	40		42	41	42	44	42	43
8	120		119	119	120	118	120	120
9								
10								
11								
12								
13								
14								
15								
16								
17								

NOTE: Dimensions with mark“x”are out of tolerance.