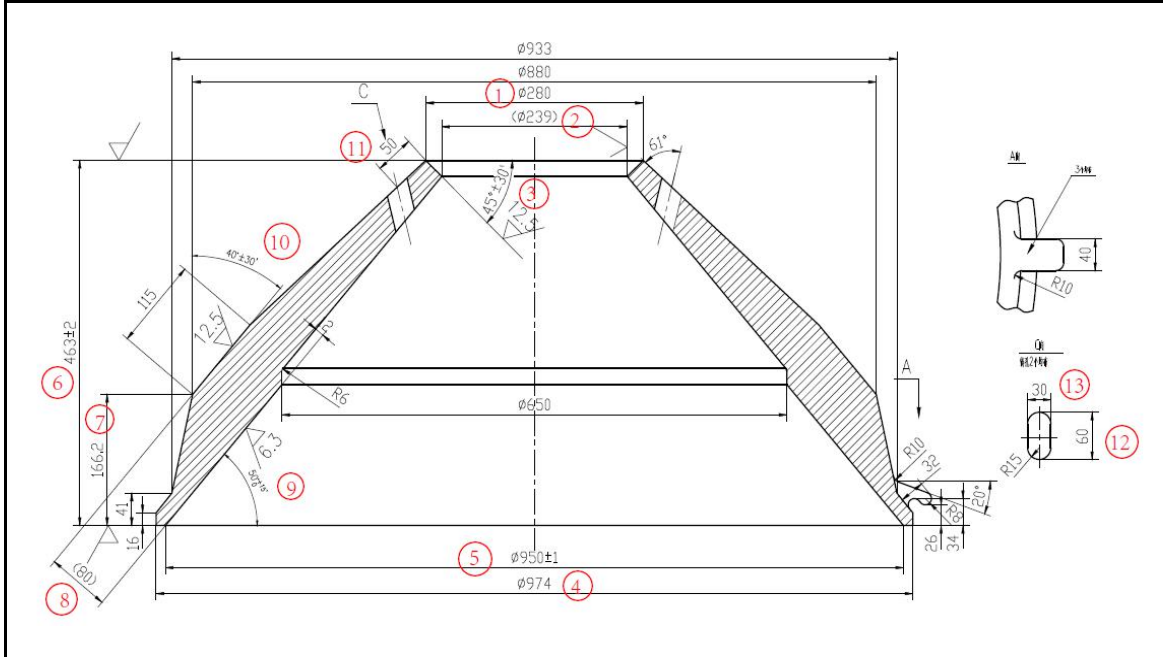


Nanjing Qiming Machinery Co.,Ltd

QM-55308001 Size Report

Item: QM-JZB-J015A



Part name	Mantle	Part No	QM-55308001	Order number	4IH0602	Check Date	2019.9.3	QA	
Location	Drawing	Tolerance	Measuredvalue	Qualified decision	recheck	WT		480Kg	
1	280		φ279						
2	239		φ238						
3	45°	±30'	45.3°						
4	974		φ972						
5	950	±1	φ950						
6	463	±2	461						
7	166.2		168-170						
8	80		78						
9	50°	+15' 0'	50°4'						
10	40°	±30'	39.8°						
11	50		55						
12	60		61						
13	30		31						
14									
15									
16									

APPROVED

NOTE: Dimensions with mark "x" are out of tolerance.