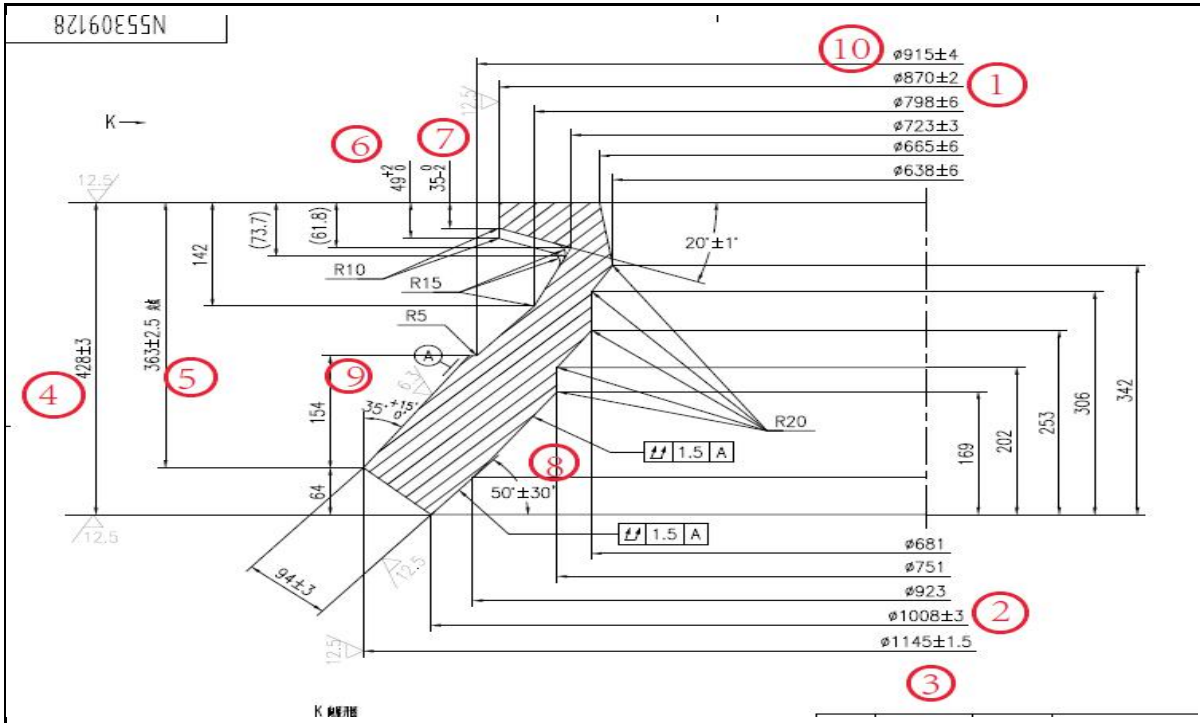


Nanjing Qiming Machinery Co.,Ltd

QM-55209128 Size Report

Item: QM-JZB-J015A



Part name	Cone Liner	Part No	QM55209128	Order number	4IH0704	Check Date	2019.9.1	QA
Location	Drawing	Tolerance	Measuredvalue	Qualified decision	recheck	WT		802Kg
1	870	±2	φ870					
2	1008	±3	φ1007					
3	1145	±1.5	φ1145					
4	428	±3	428					
5	363	±2.5	362					
6	49	+2 0	48					
7	35	0 -2	34					
8	50°	±30'	50.05°					
9	35°	+15' 0'	35°8'					
10	915	±4	φ913-φ916					
11	665	±6	φ665-φ667					
12	94	±3	95					
13	64		65					
14								
15								
16								
17								
18								

APPROVED

Notice:Dimensions with mark“x”are out of tolerance.