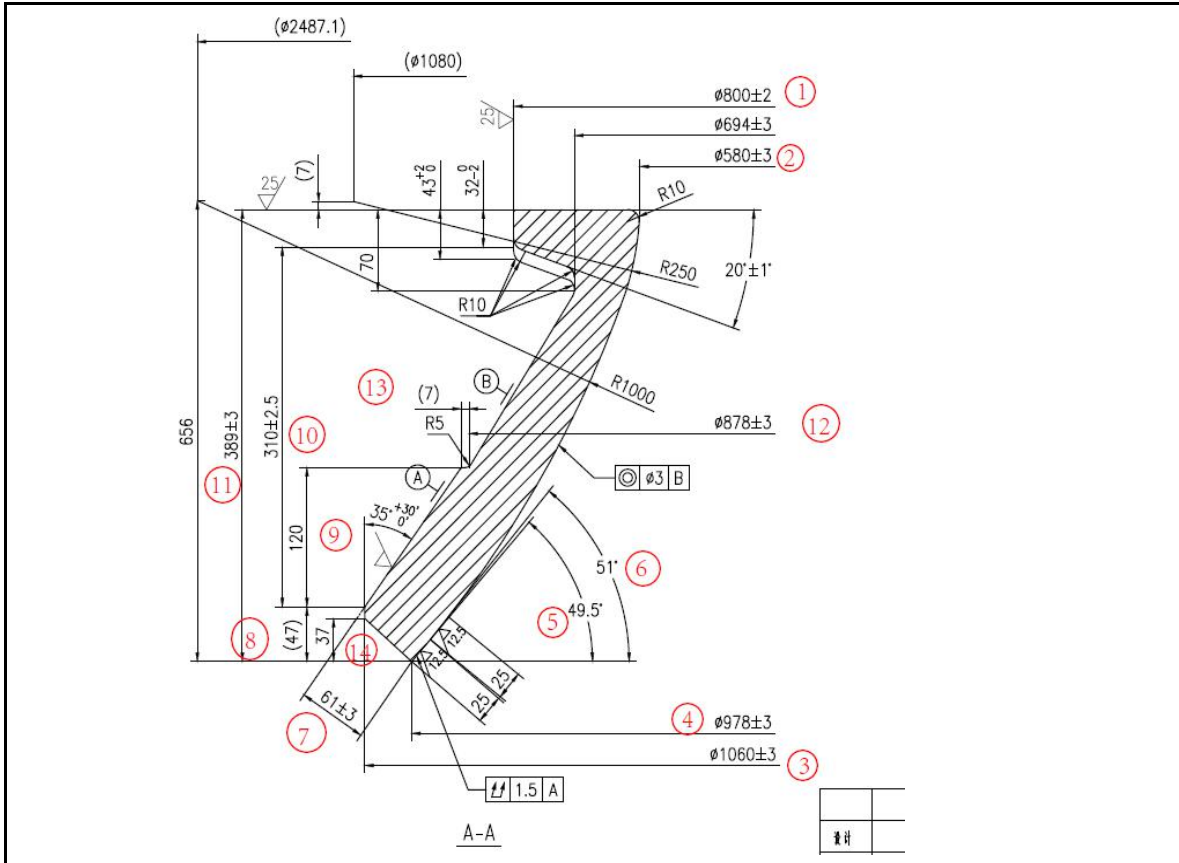


Nanjing Qiming Machinery Co.;Ltd  
 QM-55208139 Size Report

Item: QM-JZB-J015A



| Part name | Cone Crusher Concave | Part No    | QM-5520813     | Order number       | 5IH0907 | Check Date | 2019. 8. 31 | QA |
|-----------|----------------------|------------|----------------|--------------------|---------|------------|-------------|----|
| Location  | Drawing              | Tolerance  | Measured value | Qualified decision | recheck | WT         | 528Kg       |    |
| 1         | 800                  | $\pm 2$    | $\phi 799$     |                    |         |            |             |    |
| 2         | 580                  | $\pm 3$    | $\phi 583$     |                    |         |            |             |    |
| 3         | 1060                 | $\pm 3$    | $\phi 1060$    |                    |         |            |             |    |
| 4         | 978                  | $\pm 3$    | $\phi 978$     |                    |         |            |             |    |
| 5         | 49.5°                |            | 49.7°          |                    |         |            |             |    |
| 6         | 51°                  |            | 50.8°          |                    |         |            |             |    |
| 7         | 61                   | $\pm 3$    | 61             |                    |         |            |             |    |
| 8         | 47                   |            | 46             |                    |         |            |             |    |
| 9         | 120                  |            | 118            |                    |         |            |             |    |
| 10        | 310                  | $\pm 2.5$  | 310-311        |                    |         |            |             |    |
| 11        | 389                  | $\pm 3$    | 390            |                    |         |            |             |    |
| 12        | 878                  | $\pm 3$    | $\phi 876$     |                    |         |            |             |    |
| 13        | 35°                  | +30'<br>0' | 35° 1'         |                    |         |            |             |    |

**APPROVED**

NOTE: Dimensions with mark "X" are out of tolerance.